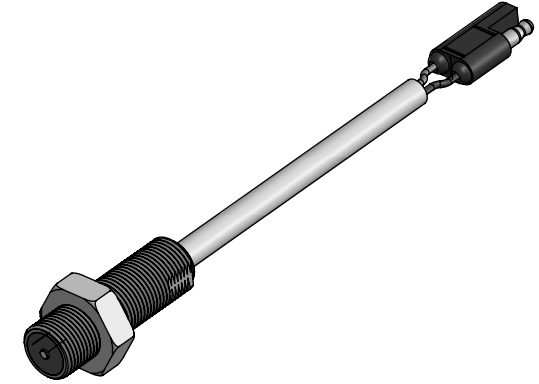
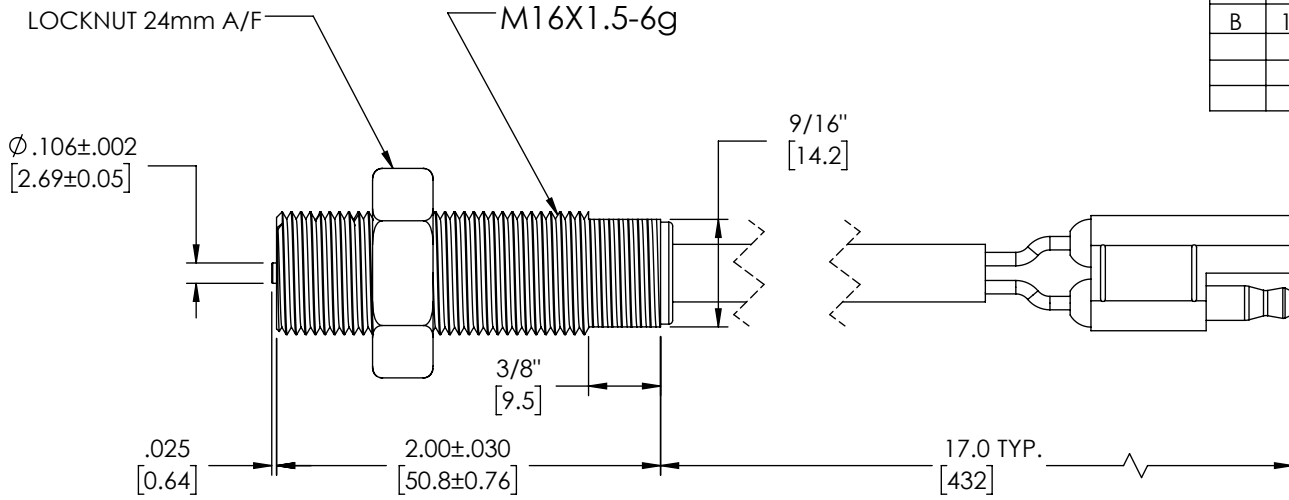


REV	ECN	REVISION RECORD	DATE	DR	CK
A	8102	REDRAWN IN CAD	08/12/12	PF	MG
B	11069	UPDATED LEAD COLOR IN NOTE 2	09/04/18	SS	PV



TEMPERATURE RANGE	OUTPUT VOLTAGE (SEE NOTE 1)	DC RESISTANCE AT 75°F	INDUCTANCE AT 1KHZ	CONNECTOR (SEE NOTE 2)	INSULATION RESISTANCE AT 500 VDC	NET WEIGHT
-65° F TO +225° F	90 - 130 VP-P	1000 - 1300 OHMS	320 MH NOM	SAE DOUBLE BULLET .312	100 MEGOHMS MIN. COIL TO HOUSING	OZ. AVG.

NOTES:

1. TESTED AT 1000 INCHES/SECOND WITH A 20 PITCH, 30 TOOTH GEAR, 0.005" CLEARANCE AND 100,000 OHM LOAD SHUNTED BY 250 PF.

2. WITH APPROACH OF FERROUS METAL, RED LEAD IS POSITIVE WITH RESPECT TO BROWN LEAD.

CONSTRUCTION:
HOUSING-- ALUMINUM
POLE PIECE--416 STAINLESS STEEL
POTTING--EPOXY RESIN

SPECIFICATION CONTROLLED DRAWING
BY VERMEER DWG/PN 141468-001 REV

THIS DOCUMENT, ALL INFORMATION CONTAINED IN AND ALL INFORMATION RELATED TO, IS PROPERTY OF DYNALCO. IS CONFIDENTIAL TO IT AND NO PART THEREOF NOR ANY SUCH INFORMATION MAY BE COPIED, DISSEMINATED OR USED IN ANY MANNER WHATSOEVER WITHOUT THE PRIOR WRITTEN CONSENT OF DYNALCO AND IS TO BE RETURNED TO DYNALCO UPON REQUEST.

UNLESS OTHERWISE SPECIFIED		THIRD ANGLE PROJECTION	
DIMENSIONS ARE IN INCHES DIMENSIONAL TOLERANCES: FRACTIONAL ± 1/64 ANGULAR: ± 1/2° XX ± 0.010 XXX ± 0.005		DYNALCO ®	
DATE: 01/22/97	MODEL: M354	DRAWN PF	
MATERIAL:	PATH:	APPROVED LC	
FINISH:	TITLE: MAGNETIC PICKUP, MODEL M354		REV
DO NOT SCALE DRAWING	SIZE A	DWG. NO. 800-0354	B
	SCALE 1:1	WEIGHT -	SHEET 1 OF 1